



### AVANTAGES

- Output signal Modbus
- Humidity, 10...90 % RH
- Temperature, 0...50°C
- Good long-term stability
- Modbus communication

### DESCRIPTION

A range of room transmitters for measuring humidity and temperature in indoor environments.

### FONCTION

Transmitters intended for wall mounting in HVAC systems.

### CAPTEUR DE TEMPERATURE

The unit has a built-in temperature sensor, working range 0...50°C.

### DEGRE D'HUMIDITE

The transmitters have a capacitive thin-film element that provides a signal proportional to the relative humidity. The measuring element responds quickly to changes in humidity and has excellent long-term stability.

### TENSION D'ALIMENTATION

The transmitter uses a supply voltage of 24 V AC  $\pm 10\%$  or 15...35 V DC. It automatically detects and adapts to the supply voltage connected.

### ECRAN (-D MODELES)

Display models have an LCD display showing temperature and humidity in an alternating series.

### COMMUNICATION VIA MODBUS

The transmitters communicate via Modbus and are to be integrated into a network.

### CARACTERISTIQUES TECHNIQUES

Output signal	Modbus
Supply voltage (UV)	24 V AC $\pm 10\%$ or 15...35 V DC
Power consumption	< 1 W
Transformer power	2 VA
Electrical connection	Screw terminals max. 1.5 mm <sup>2</sup> (AWG 16)
Storage temperature	-25...+60°C
Operating temperature	0...50°C
Ambient humidity	10...90 % RH non-condensing
Protection class	IP30
Dimensions (WxHxD)	85 x 100 x 30.5 mm
Colour	Signal white RAL 9003

### CARACTERISTIQUES TECHNIQUES - CAPTEUR D'HUMIDITE

Humidity sensor	Capacitive
Working range	10...90 % RH
Accuracy at 20°C	$\pm 2\%$ RH

### CARACTERISTIQUES TECHNIQUES - CAPTEUR DE TEMPERATURE

Working range	0...50°C
Accuracy at 20°C	$\pm 0.2\%$





### CARACTERISTIQUES TECHNIQUES - COMMUNICATION

Type	Modbus RTU
Baud rate	4800, 9600, 19200, 38400 bits/s
Factory settings	
Baud rate	19200 bits/s
Parity	Even
Address of unit	1

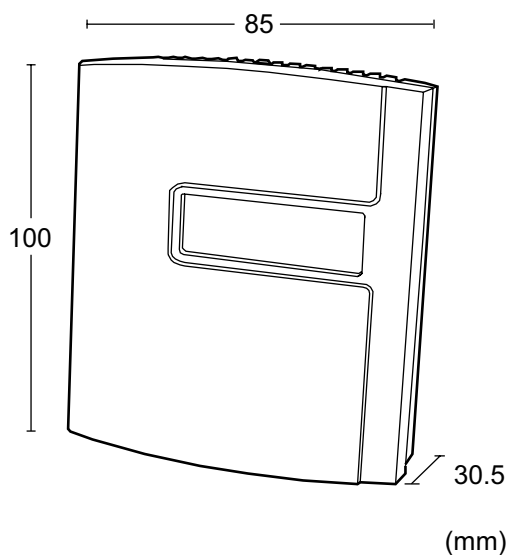
### MODELES

Article	Description
HTRC10	Humidity and temperature transmitter for Modbus communication
HTRC10-D	Humidity and temperature transmitter for Modbus communication with display

### CERTIFICATIONS

This product carries the CE-mark.

### DIMENSIONS



### MONTAGE

